

MANITRANSIT

TRUCK-MOUNTED FORKLIFT

TMT 45
Series



- Lift Capacity: 4,400 lb.
- Maximum lift height: 129 in.
- Maximum forward reach: 54 in.
- Hydrostatic transmission
- Three wheel drive
- Stabilizers

TMT 45

TMT 45 TMT45FL



Lift Capacity

Maximum (24 in. load center).....4,400 lb.



Lift Height:

Maximum lift height.....118 in.129 in.

Maximum forward reach.....41 in.54 in.



Tires:

Front.....26 x 12-12 10PR

Rear.....26 x 12-12 10PR



Forks:

Length.....48 in.

Width x thickness.....4 in. x 1.75 in.

Carriage tilt.....112°



Brakes:

Service (pedal).....Hydrostatic

Parking brake.....Negative disc with electrical control



Engine:

Type.....Kubota D1105E Diesel

Displacement.....70 cu. in.

Horsepower.....25

Maximum Torque (@2000 RPM).....50 ft.lb.

Injection.....Direct

Cooling.....Water



Transmission:

Type.....Hydrostatic

Hydraulic reversing shift, full syncro

Maximum travel speed.....6.2 mph



Hydraulics:

Pump.....Gear type

Flow.....9.4 gpm

Flow divider with priority to steering



Capacities:

Cooling system.....0.82 gal.

Engine oil.....1.4 gal.

Fuel tank.....10.5 gal.

Hydraulic fluid.....8.2 gal.



Specifications:

Weight (without forks).....4,213 lb.4400 lb.

Turning radius (outside wheels).....103 in.

Overall height.....85 in.

Overall width.....96 in.

Overall length (without forks).....115 in.

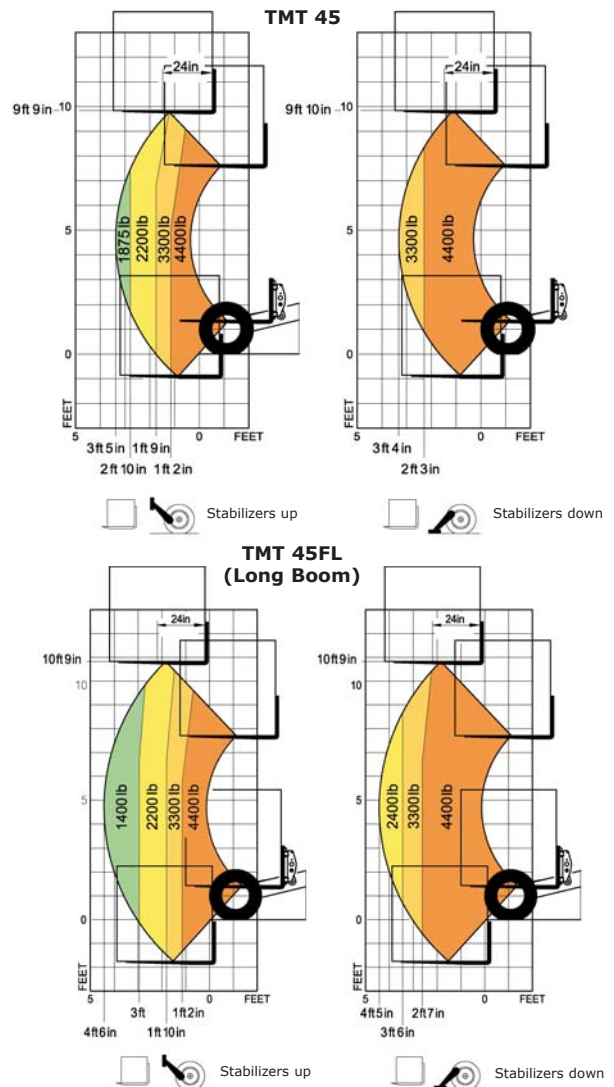
Overhang.....46 in.55 in.

Ground clearance.....10 in.

Drawbar pull.....3,410 lbf.

LOAD CAPACITY CHART

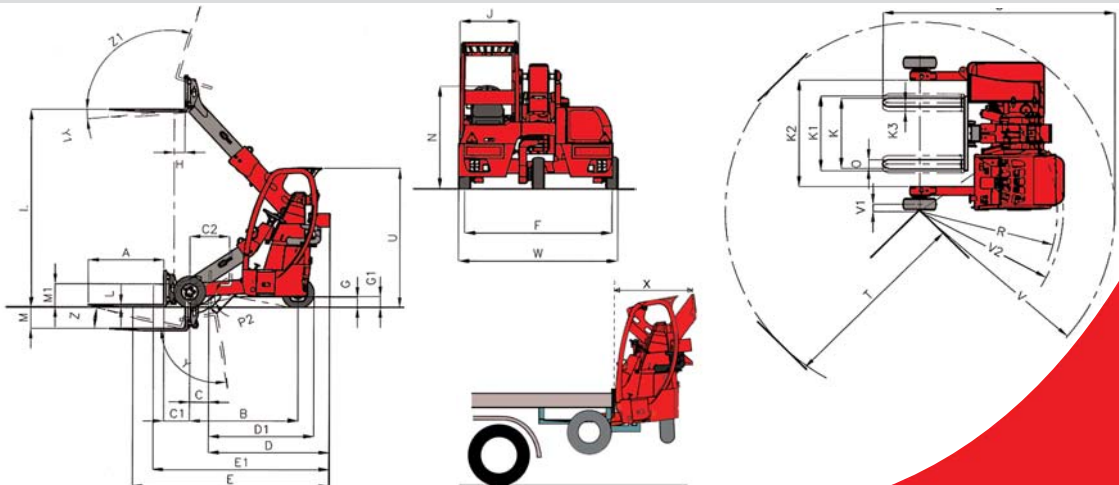
CALCULATED WITH 48" CARRIAGE AND 48" FORKS
(OPTIONAL ATTACHMENTS CAN DERATE THIS CHART)



Capacities shown in pounds/feet are the maximum recommended load limits at the indicated extensions of the boom. Capacity ratings are based on a 48" homogeneous cube and are in accordance with ANSI/ASME B56.6 stability standards. Capacity reductions must be made for extended load centers and when used with various other attachments, contact MANITOU NORTH AMERICA, INC.

DIMENSIONS:

A.....48	K ₃5
B.....61	L.....1.5
C.....7	M.....9
C ₁12	M ₁17
C ₂22	N.....61
D.....72	O.....5
D ₁67	P.....40°
E.....115	R.....76
E ₁100	S.....128
E ₂92	T.....105
F.....85	U.....85
G.....9	V.....107
G ₁10	V ₁2
H.....10	V ₂81
I.....118	W.....96
J.....32	X.....46/55
K.....40	Y.....99°
K ₁42	Y ₁5°
K ₂60	Z.....13°
	Z ₁107°



Dealer:



MANITOU NORTH AMERICA, INC. - P.O. Box 21386 - Waco, TX 76702-1386
Tel: 800-433-3304 - Fax: 254-799-4433 - www.manitou-na.com